

Genie U

12 / 24 / 32



A single unit for Type I ultrapure and RO water from tap water

Two-in-one integrated system. This compact and effortless to use water system is designed to meet requirements from critical water applications to routine laboratory demands with low running costs. Quality of ultrapure water meets or exceeds ASTM, CLSI, CAP, and ISO Type I water standards.

The system is manufactured in ISO 9001, ISO 14001, ISO 45001 and ISO 50001 certified manufacturing sites. The system is CE and RoHS certified.

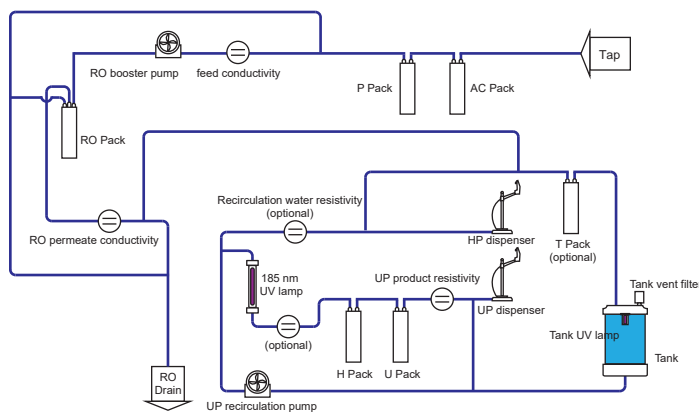
Features

- On-line TOC measurement based on complete oxidation methodology
- Stable RO permeability over a wide range of water temperatures
- RO removes > 97% of ions and large molecules; > 99% of microorganisms, particles and bacteria
- A full range of cartridges for various applications including ultra-low TOC, low Mg, low boron, ICP and DI type
- A reassuring volumetric dispensing function, adjustable from 10 mL to 999 L
- RFID tracking of consumables and accessories provides optimal system performance and real-time user operational intelligence
- Consistent and accurate tank water level monitoring with a built-in continuous liquid level sensor in the storage tank
- Mercury-free germicidal UV LED (265 nm) lamp equipped in tank sanitization module
- Tank recirculation model guarantees water quality in the tank
- Automatic system shut-off upon detection of any water leakage
- Placement flexibility- on the bench, under the sink or wall-mounted to save valuable space within a lab
- 9 display languages for selection

- Wireless communication amongst components providing unlimited possibilities
- A remote dispenser has a greater distance flexibility than ever before, no longer constrained by the length of cables or wires. It can be discretely set up into a hood or a clean room.
- "1+N mode" - one water system can drive N units of dispenser (Up to 10 now and can be upgraded further more).
- Genie equips with multiple touch screens which are highly responsive, water-proof, latex glove friendly, and perfect for wet labs.
- The ability to export and print data and log-in requirements are built into all of our Genie systems.
- Feed water conductivity monitoring ensures an optimal running conditions of the system.
- A RephiBio filter can be embraced to produce pyrogen, nuclease and bacteria free water for critical requirements.
- No tools are needed for system maintenance and simple service.

U

Flow Chart



Main Applications

With Ultrapure Water

- HPLC mobile phase preparation
- Preparation of reagent blank solutions
- As sample diluent for GC, HPLC, UPLC, ICP-MS, AA and other analytical techniques
- Preparation of buffers and culture media for mammalian cell culture
- Preparation of molecular biology reagents, etc.

With RO Water

- Glassware cleaning
- Washing machine for glassware
- Water bath water
- Autoclave
- Feed water for laboratory animals

Main Components



Control Console



Remote Dispenser



Cartridges



Tank

Command and control center

- 8-inch touch screen with highly intuitive navigation program allowing total control and easy operation of the system
- Comfortable viewing and operation with built in viewing angle and flexible placement by users
- Operable with gloves and wet hands
- Robust screen: easy to clean, resistant to scratches

Smart and flexible remote dispensers

- Manual and volumetric dispensing, adjustable dispensing rate, and water quality monitoring
- Ergonomic dispenser allowing one handed operation and control
- Operable with gloves and wet hands
- Height adjustable and 360 degree rotatable on an anti-skid base

Powerful key of purification

- Improved stability of water quality & efficiency of polishing resins due to optimized flow design
- High pressure rated housings, proprietary sealing, and double o-ring designs ensuring operational confidence
- A worry-free installation with three verifications: color, labels, and RFID recognition

Reservoir

Specifications

	30 L Tank	60 L Tank	100 L Tank
Materials	HDPE	HDPE	HDPE
Width x depth x height	42 x 34 x 61 cm 16.5 x 13.4 x 24.0 in	42 x 34 x 85 cm 16.5 x 13.4 x 33.5 in	55 x 27 x 138 cm 21.7 x 10.6 x 54.3 in
Dry weight	7 kg	11 kg	35 kg
Operating weight	37 kg	71kg	135 kg

Ordering Info

Description	Cat. No.
Genie U 12 System	RG0U01000
Genie U 12 System, with TOC	RG0U010T0
Genie U 12 System, with tank recirculation	RG0U0100R
Genie U 12 System, with TOC & tank recirculation	RG0U010TR
Genie U 24 System	RG0U02000
Genie U 24 System, with TOC	RG0U020T0

Description	Cat. No.
Genie U 24 System, with tank recirculation	RG0U0200R
Genie U 24 System, with TOC & tank recirculation	RG0U020TR
Genie U 32 System	RG0U03000
Genie U 32 System, with TOC	RG0U030T0
Genie U 32 System, with tank recirculation	RG0U0300R
Genie U 32 System, with TOC & tank recirculation	RG0U030TR

Specifications

Product Water Quality

Genie U	
RO water	
Flow rate	12, 24, 32 L/hr
Dispenser rate	Up to 2 L/min
RO rejection	97 to 98% ionic rejection (new RO cartridge), > 99% organic rejection, > 99% particulates & bacteria rejection
Conductivity (@ 25 °C)	Typically < 20 µS/cm (feed water < 2000 µS/cm)
Ultrapure water	
Dispenser rate	Up to 2 L/min
Resistivity (@25 °C)	18.2 MΩ·cm
TOC*	< 2 ppb
Particles (> 0.2 µm)**	No particles with size > 0.2 µm
Microorganisms**	< 0.001 cfu/ml
Pyrogens (endotoxins)***	< 0.001 Eu/ml
RNase***	< 0.5 pg/ml
DNase***	< 10 pg/ml
Water stored in tank (for tank recirculation models)	
Resistivity (@25 °C)	> 1 MΩ·cm (default), adjustable

* In the appropriate operating conditions, otherwise typically ≤5 ppb.

** with a 0.2 µm final filter

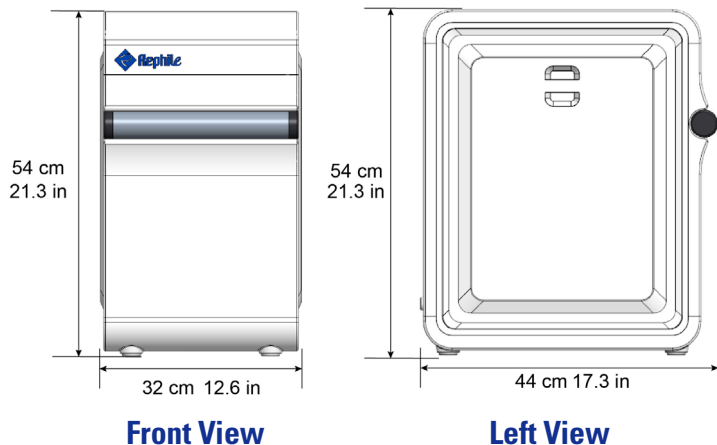
*** with a RephiBio filter

Feed Water & Environment Requirements

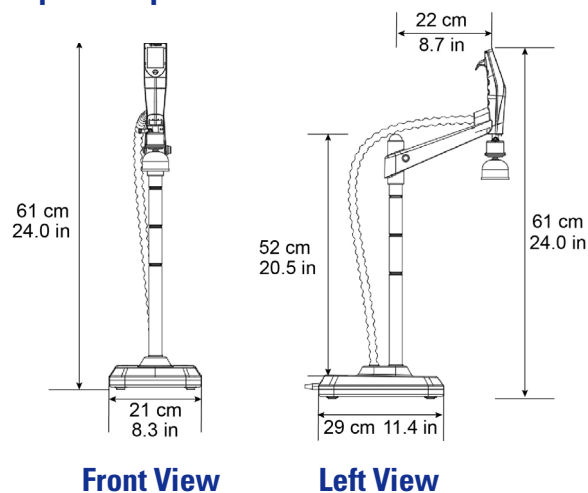
Genie U	
Feed water	Tap water
Conductivity	< 2000 µS/cm@25 °C (TDS < 1000 ppm)
Temperature	5 - 35 °C (41 - 95 F)
Pressure	0.1 - 0.6 MPa (1.0 - 6.0 bar)
pH	4 - 10
Hardness (as CaCO ₃)	< 180 mg/L (180 ppm)*
TOC	< 2000 ppb
Silica	< 30 mg/L (< 30 ppm)
Dissolved CO ₂	< 30 mg/L (< 30 ppm)
Langlier saturation index (LSI)	< 0.3
SDI	≤ 3
Free chlorine	< 1.5 mg/L (< 1.5 ppm)
Environment	
Operational temperature	5 - 45 °C (41 - 113 F)
Humidity	20 - 80%

* > 180 ppm: softener recommended

Main System Specifications



Dispenser Specifications



Genie U	
System weight	< 20 kg
Control console weight	0.75 kg
Input voltage / frequency	100 - 240 VAC / 50 - 60 Hz
Operating voltage	24 VDC
Power	< 190 W
Data connection	CAN / USB / SD / WIFI

Dispenser	
Weight	5 kg
Dispenser tubing length	1 m (3.3 ft)
Distance from main system to dispenser (wire)	3 m (9.8 ft)
Distance from main system to dispenser (wireless)	10 m (32.8 ft)
Operating voltage	24 VDC

All rights reserved © 2026 RephiLe Bioscience, Ltd.
RephiLe and Genie are registered trademarks of RephiLe Bioscience, Ltd. TM and (R) may be omitted in this brochure.

RephiLe Bioscience, Ltd.

Toll Free: +1-855-RephiLe (+1-855-737-4453)

E-mail: info@rephile.com



Literature: RFP1362606