

Genie U

12 / 24 / 32



A single unit for Type I ultrapure and RO water from tap water

Main Components



Control Console



Remote Dispenser



Cartridges



Tank

Command and control center

- 8-inch touch screen with highly intuitive navigation program allowing total control and easy operation of the system
- Comfortable viewing and operation with built in viewing angle and flexible placement by users
- Operable with gloves and wet hands
- Robust screen: easy to clean, resistant to scratches

Smart and flexible remote dispensers

- Manual and volumetric dispensing, adjustable dispensing rate, and water quality monitoring
- Ergonomic dispenser allowing one handed operation and control
- Operable with gloves and wet hands
- Height adjustable and 360 degree rotatable on an anti-skid base

Powerful key of purification

- Improved stability of water quality & efficiency of polishing resins due to optimized flow design
- High pressure rated housings, proprietary sealing, and double o-ring designs ensuring operational confidence
- A worry-free installation with three verifications: color, labels, and RFID recognition

Reservoir

Specifications

	30 L Tank	60 L Tank	100 L Tank
Materials	HDPE	HDPE	HDPE
Width × depth × height	42 x 34 x 58 cm 16.5 x 13.4 x 22.8 in	42 x 34 x 82 cm 16.5 x 13.4 x 32.3 in	55 x 27 x 138 cm 21.7 x 10.6 x 54.3 in
Dry weight	7 kg	11 kg	35 kg
Operating weight	37 kg	71kg	135 kg

Ordering Info

Description	Cat. No.
Genie U 12 System	RG0U01000
Genie U 12 System, with TOC	RG0U010T0
Genie U 12 System, with tank recirculation	RG0U0100R
Genie U 12 System, with TOC & tank recirculation	RG0U010TR
Genie U 24 System	RG0U02000
Genie U 24 System, with TOC	RG0U020T0

Description	Cat. No.
Genie U 24 System, with tank recirculation	RG0U0200R
Genie U 24 System, with TOC & tank recirculation	RG0U020TR
Genie U 32 System	RG0U03000
Genie U 32 System, with TOC	RG0U030T0
Genie U 32 System, with tank recirculation	RG0U0300R
Genie U 32 System, with TOC & tank recirculation	RG0U030TR

Specifications

Product Water Quality

Genie U	
RO water	
Flow rate	12, 24, 32 L/hr
Dispenser rate	Up to 2 L/min
RO rejection	97 to 98% ionic rejection (new RO cartridge), > 99% organic rejection, > 99% particulates & bacteria rejection
Conductivity (@ 25°C)	Typically < 20 µS/cm (feed water < 2000 µS/cm)
Ultrapure water	
Dispenser rate	Up to 2 L/min
Resistivity (@25°C)	18.2 MΩ·cm
TOC*	< 2 ppb
Particles (> 0.2 µm)**	No particles with size > 0.22 µm
Microorganisms**	< 0.01 cfu/ml
Pyrogens (endotoxins)***	< 0.001 Eu/ml
RNase***	< 0.5 pg/ml
DNase***	< 10 pg/ml
Water stored in tank (for tank recirculation models)	
Resistivity (@25°C)	> 1 MΩ·cm (default), adjustable

* In the appropriate operating conditions, otherwise typically ≤5 ppb.

** with a 0.2 µm final filter

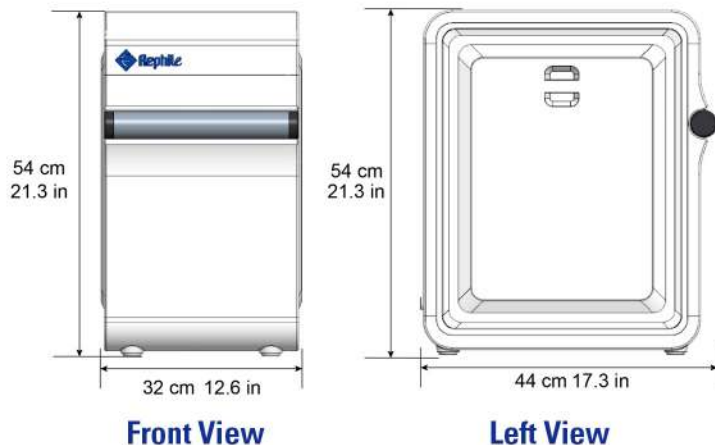
*** with a RephiBio filter

Feed Water & Environment Requirements

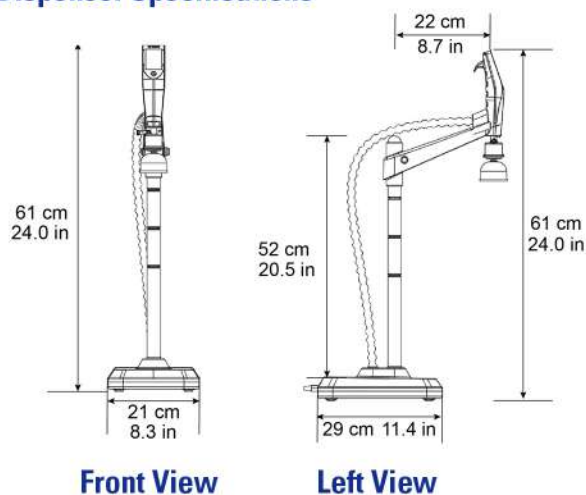
Genie U	
Feed water	Tap water
Conductivity	< 2000 µS/cm@25 °C (TDS < 1000 ppm)
Temperature	5 - 35 °C (41 - 95 F)
Pressure	0.1 - 0.6 MPa (1.0 - 6.0 bar)
pH	4 - 10
Hardness (as CaCO ₃)	< 180 mg/L (180 ppm)*
TOC	< 2000 ppb
Silica	< 30 mg/L (< 30 ppm)
Dissolved CO ₂	< 30 mg/L (< 30 ppm)
Langlier saturation index (LSI)	< 0.3
SDI	≤ 3
Free chlorine	< 1.5 mg/L (< 1.5 ppm)
Environment	
Operational temperature	5 - 45 °C (41 - 113 F)
Humidity	20 - 80%

* > 180 ppm: softener recommended

Main System Specifications



Dispenser Specifications



Genie U	
System weight	< 20 kg
Control console weight	0.75 kg
Input voltage / frequency	100 - 240 VAC / 50 - 60 Hz
Operating voltage	24 VDC
Power	< 190 W
Data connection	CAN / USB / SD / WIFI

Dispenser	
Weight	5 kg
Dispenser tubing length	1 m (3.3 ft)
Distance from main system to dispenser (wire)	3 m (9.8 ft)
Distance from main system to dispenser (wireless)	10 m (32.8 ft)
Operating voltage	24 VDC

All rights reserved © 2022 RephiLe Bioscience, Ltd
RephiLe and Genie are registered trademarks of RephiLe Bioscience, Ltd. TM and (R)
may be omitted in this brochure.

RephiLe Bioscience, Ltd.

Toll Free: +1-855-RephiLe (+1-855-737-4453)

E-mail: info@rephile.com



Literature: RFP1362210