

Genie U

12/24/32

A single unit for Type I ultrapure and RO water from tap water

Two-in-one integrated system. This compact and effortless to use water system is designed to meet requirements from critical water applications to routine laboratory demands with low running costs. Quality of ultrapure water meets or exceeds ASTM, CLSI, CAP, and ISO Type I water standards.

The system is manufactured in ISO 9001 : 2015 and ISO 14001:2015 certified manufacturing sites.

Features

- Wireless communication amongst components providing unlimited possibilities
- RFID tracking of consumables and RO membranes to ensure optimal system performance
- On-line TOC measurement based on complete oxidation methodology
- Stable RO permeability over a wide range of water temperatures
- RO removes >97% of ions and large molecules; >99% of microorganisms, particles and bacteria
- A full range of cartridges for various applications including ultra-low TOC, low Mg, low boron, ICP and DI type
- Consistent and accurate tank water level monitoring with a built-in continuous liquid level sensor in the storage tank
- Tank recirculation model guarantees water quality in the tank
- Automatic system shut-off upon detection of any water leakage
- Placement flexibility- on the bench, under the sink or wall-mounted to save valuable space within a lab



- Advanced wireless communication technologies offer more freedom than ever for a remote dispenser. Its distance from the system is no longer limited by the length of cables or wires, and can be discretely set up into a hood or a clean room.
- "1+N mode" - one water system can drive N units of dispenser (Up to 10 now and can be upgraded further more).
- Genie equips with multiple touch screens which are highly responsive, water-proof, latex glove friendly, and perfect for wet labs.
- Monitoring of consumables and accessories, through RFID technology, provides users with real-time operational intelligence.
- The ability to export and print data and log-in requirements are built into all of our Genie systems.
- Feed water conductivity monitoring ensures an optimal running conditions of the system.
- A RephiBio filter can be embraced to produce pyrogen, nuclease and bacteria free water for critical requirements.
- No tools are needed for system maintenance and simple service.



Main Components



Command and control center

- 8-inch touch screen with highly intuitive navigation program allowing total control and easy operation of the system
- Comfortable viewing and operation with built in viewing angle and flexible placement by users
- Operable with gloves and wet hands
- Robust screen: easy to clean, resistant to scratches

Control Console



Dispenser

Smart remote dispensers

- Manual and volumetric dispensing, adjustable dispensing rate, and water quality monitoring
- Ergonomic dispenser allowing one handed operation and control
- Operable with gloves and wet hands
- Height adjustable and 360 degree rotatable on an anti-skid base



Cartridges

Cartridges

- Improved stability of water quality & efficiency of polishing resins due to optimized flow design
- High pressure rated housings, proprietary sealing, and double o-ring designs ensuring operational confidence
- A worry-free installation with three verifications: color, labels, and RFID recognition

Specifications

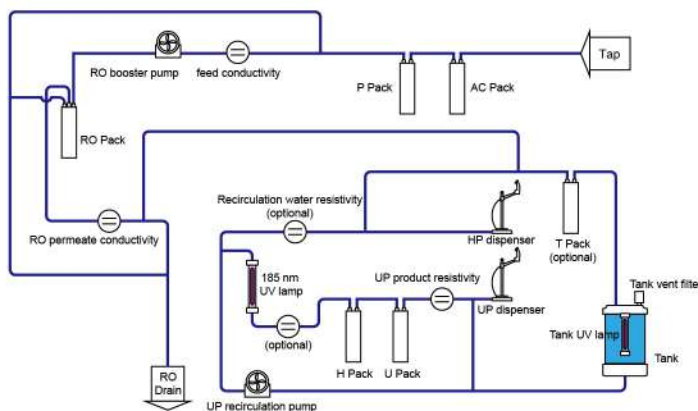
Genie U	
Feed Water Requirements	
Feed water conductivity / TDS	< 2000 $\mu\text{S}/\text{cm}$ / < 1000 ppm
Operating temperature	5 - 35 $^{\circ}\text{C}$
Feed water pressure	1 - 6 bar (15 - 90 psi)
Product Water Quality	
RO water	
Flow rate	12, 24, 32 L/hr
Dispenser rate	Up to 2 L/min
Conductivity (@ 25 $^{\circ}\text{C}$)	Typically < 20 $\mu\text{S}/\text{cm}$ (feed water < 2000 $\mu\text{S}/\text{cm}$)
Ultrapure water	
Dispenser rate	Up to 2 L/min
Resistivity (@ 25 $^{\circ}\text{C}$)	18.2 M $\Omega\cdot\text{cm}$
TOC*	< 2 ppb
Particles (> 0.2 μm)**	No Particles with size > 0.22 μm
Microorganisms**	< 0.01 cfu/ml
Pyrogens (endotoxins)***	< 0.001 Eu/ml
RNase***	< 0.5 pg/ml
DNase***	< 10 pg/ml
Product Water Quality Stored in Tank (for tank recirculation models)	
Resistivity (@ 25 $^{\circ}\text{C}$)	> 1 M $\Omega\cdot\text{cm}$ (default), adjustable
Dimensions	
Main system: Width x Depth x Height	32 cm x 44 cm x 54 cm
Dispenser: Width x Depth x Height	21 cm x 29 cm x 61 cm

* In the appropriate operating conditions, otherwise typically ≤ 5 ppb.

** with a 0.2 μm final filter

*** with a RephiBio filter

Flow Chart



Ordering Info

Description	Cat. No.
Genie U 12 System	RGOU01000
Genie U 12 System, with TOC	RGOU010T0
Genie U 12 System, with tank recirculation	RGOU0100R
Genie U 12 System, with TOC & tank recirculation	RGOU010TR
Genie U 24 System	RGOU02000
Genie U 24 System, with TOC	RGOU020T0
Genie U 24 System, with tank recirculation	RGOU0200R
Genie U 24 System, with TOC & tank recirculation	RGOU020TR
Genie U 32 System	RGOU03000
Genie U 32 System, with TOC	RGOU030T0
Genie U 32 System, with tank recirculation	RGOU0300R
Genie U 32 System, with TOC & tank recirculation	RGOU030TR

Main Applications

With Ultrapure Water

- HPLC mobile phase preparation
- Preparation of reagent blank solutions
- As sample diluent for GC, HPLC, ICP-MS, AA and other analytical techniques
- Preparation of buffers and culture media for mammalian cell culture
- Preparation of molecular biology reagents, etc.

With RO Water

- Glassware cleaning
- Washing machine for glassware
- Water bath water
- Autoclave
- Feed water for laboratory animals

All rights reserved © 2022 RephiLe Bioscience, Ltd.
RephiLe and Genie are registered trademarks of RephiLe Bioscience, Ltd. TM and (R) may be omitted in this brochure.

RephiLe Bioscience, Ltd.

Toll Free: +1-855-RephiLe (+1-855-737-4453)

E-mail: info@rephile.com



Literature: RFPRI362209